

## Outdoor Full-Color

25X Network Speed Dome

MODEL: InSight PTZ5425



**25X** Optical Zoom

**4MP | H.265+**  
InSight PTZ5425

360° Wide-Area  
Coverage

Intelligent  
Auto Tracking

Up to 328 ft (100 m)  
IR Distance†

People & Vehicle  
Attributes Analytics

Red & Blue Flashing  
Lights and Siren

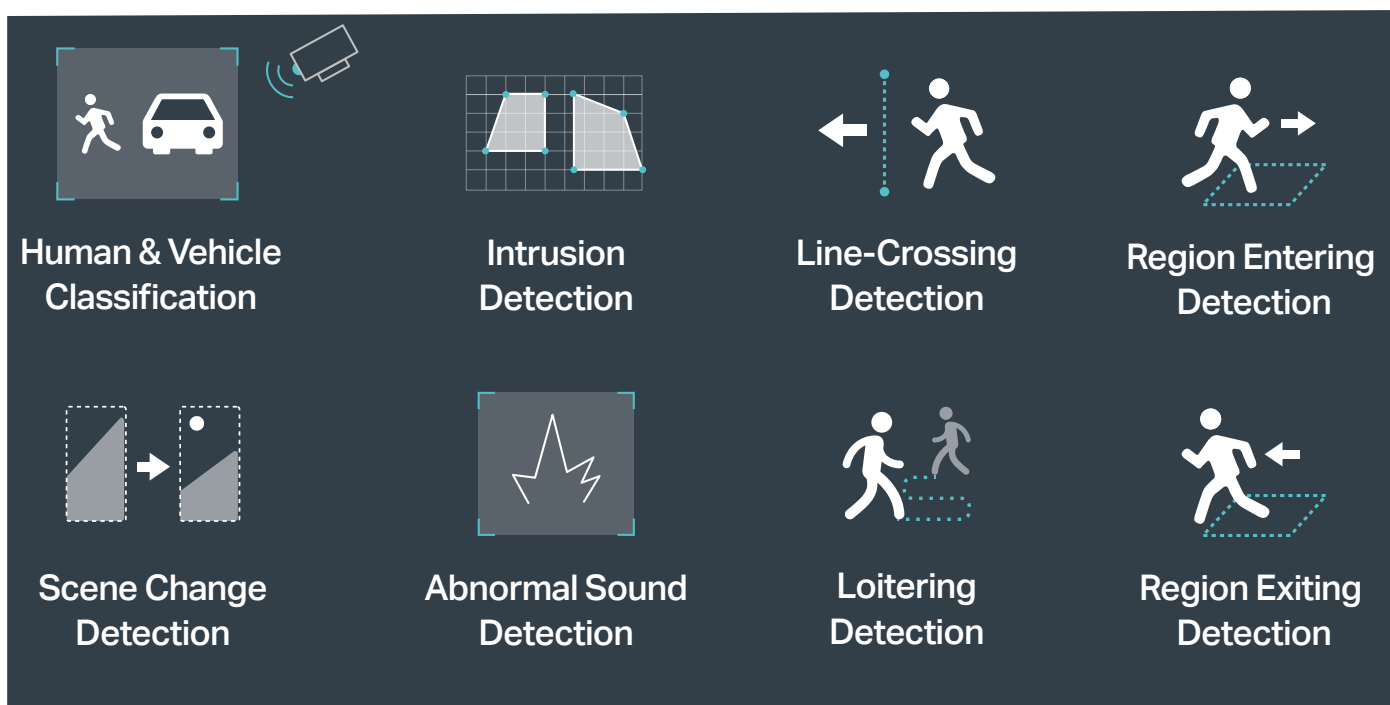
IP66  
Weatherproof

## // One Camera, Total Coverage, Budget Smart

Get 360 monitoring and sharp close-ups with one single device. Slash deployment costs and complexity. Ideal for large-scale scenarios, such as parking lots, schools, farms, and construction sites.



## // Smart Detection



## // Powerful Pan Tilt Zoom

- 25X Optical Zoom & 16X Digital Zoom
- Human/Vehicle/Event-Triggered Auto Tracking
- Rapid Focus
- Electronic Image Stabilization (EIS)
- Joystick Support (Pelco Protocol)
- Pan Speed: Configurable from 0° to 160°/s;  
Preset Speed: 240°/s
- Tilt Speed: Configurable from 0° to 120°/s,  
Preset Speed 200°/s
- Power Up Actions
- Remote Monitoring & Configuration



## // Durable Performance in Harsh Outdoor Conditions

- IP66 Weatherproof
- IK08 Vandal-Proof
- 6 kV Lightning Protection
- Digital Defog
- Built-in Lens Heater



# // Build Features



## // Specifications

Camera	
Product Model	InSight PTZ5425
Image Sensor	1/2.9" Progressive Scan CMOS
Shutter Speed	1/3 to 1/30000 s
Slow Shutter	Yes
Min. Illumination	0.005 Lux; 0 Lux with IR/White Light
Day/Night Mechanism	IR Cut Filter
Day/Night Switch	Unified/ Scheduled/ Auto
Lens	
Type	Motorized Varifocal Lens
Focal Length	5.2-130 mm (25X Optical Zoom)
Aperture	Max. F1.6
FOV	<ul style="list-style-type: none"><li>• Horizontal FOV: 2.30°-57.06°</li><li>• Vertical FOV: 1.31°-32.74°</li><li>• Diagonal FOV: 2.63°-65.01°</li></ul>
DORI Distance	Wide <ul style="list-style-type: none"><li>• D: 351 ft (107 m)</li><li>• O: 144 ft (44 m)</li><li>• R: 69 ft (21 m)</li><li>• I: 36 ft (11 m)</li></ul> Tele <ul style="list-style-type: none"><li>• D: 8530 ft (2600 m)</li><li>• O: 3553 ft (1083 m)</li><li>• R: 1706 ft (520 m)</li><li>• I: 853 ft (260 m)</li></ul>

## PTZ

Pan/tilt Range	Pan: 0° to 360°, Tilt: -20° to 90° (Auto Flip)
Pan/tilt Speed	Pan Speed: <ul style="list-style-type: none"><li>• Configurable from 0° to 160°/s</li><li>• Preset Speed: 240°/s</li></ul> Tilt Speed: <ul style="list-style-type: none"><li>• Configurable from 0° to 120°/s</li><li>• Preset Speed: 200°/s</li></ul>
Proportional Pan	Yes
Presets	300
Patrol Scan	8 patrols, up to 8 presets for each patrol
Pattern Scan	16 Pattern Scans
Park Action	Preset, Patrol Scan, Pattern Scan, Home
Power Up Actions	Yes
3D Positioning	Yes
PTZ Status Display	Yes
Preset Freezing	Yes
Scheduled Task	Preset, Patrol Scan, Pattern Scan
PTZ Protocol	Pelco-D, Pelco-P, Self-adaptive

## Illuminator

Illuminator Type	<ul style="list-style-type: none"><li>• 2× IR LED</li><li>• 2× Integrated Infrared-White LED</li></ul>
Illuminator Distance	<ul style="list-style-type: none"><li>• IR LED: 100 m (328 ft)<sup>†</sup></li><li>• White LED: 50 m (164 ft)<sup>†</sup></li></ul>
Illuminator On/Off Control	Auto/Scheduled/Always on/Always off

Video	
Max. Resolution	2688x1520
Main Stream	<ul style="list-style-type: none"> <li>• Frame Rate: 50Hz: 1fps, 5fps, 10fps, 15fps, 20fps, 25fps 60Hz: 1fps, 5fps, 10fps, 15fps, 20fps, 25fps, 30fps</li> <li>• Resolution: 2688x1520, 2560x1440, 2304x1296, 2048x1280</li> </ul>
Sub-Stream	<ul style="list-style-type: none"> <li>• Frame Rate: 50Hz: 1fps, 5fps, 10fps, 15fps, 20fps, 25fps 60Hz: 1fps, 5fps, 10fps, 15fps, 20fps, 25fps, 30fps</li> <li>• Resolution: 840x480, 704x576, 640x480, 640x360, 352x288, 320x240</li> </ul>
Third Stream	<p>H.264/H.265</p> <ul style="list-style-type: none"> <li>• Frame Rate: 50Hz: 1fps, 5fps, 10fps, 15fps, 20fps, 25fps 60Hz: 1fps, 5fps, 10fps, 15fps, 20fps, 25fps, 30fps</li> <li>• Resolution: 1920x1080, 1280x960, 1280x720, 848x480, 704x576</li> </ul> <p>MJPEG</p> <ul style="list-style-type: none"> <li>• Frame Rate: 50Hz: 1fps, 5fps, 10fps, 15fps, 20fps, 25fps 60Hz: 1fps, 5fps, 10fps, 15fps, 20fps, 25fp</li> <li>• Resolution: 1280x720, 848x480, 704x576</li> </ul>
Bit Rate Control	CBR, VBR
Video Compression	<ul style="list-style-type: none"> <li>• Main Stream: H.265+/H.265/H.264+/H.264</li> <li>• Sub-Stream: H.265/H.264</li> <li>• Third-stream: H.265/H.264/MJPEG</li> </ul>
H.264 Type	High Profile
H.264+	Main Stream Supported
H.265 Type	High Profile Main Profile
H.265+	Main Stream Supported

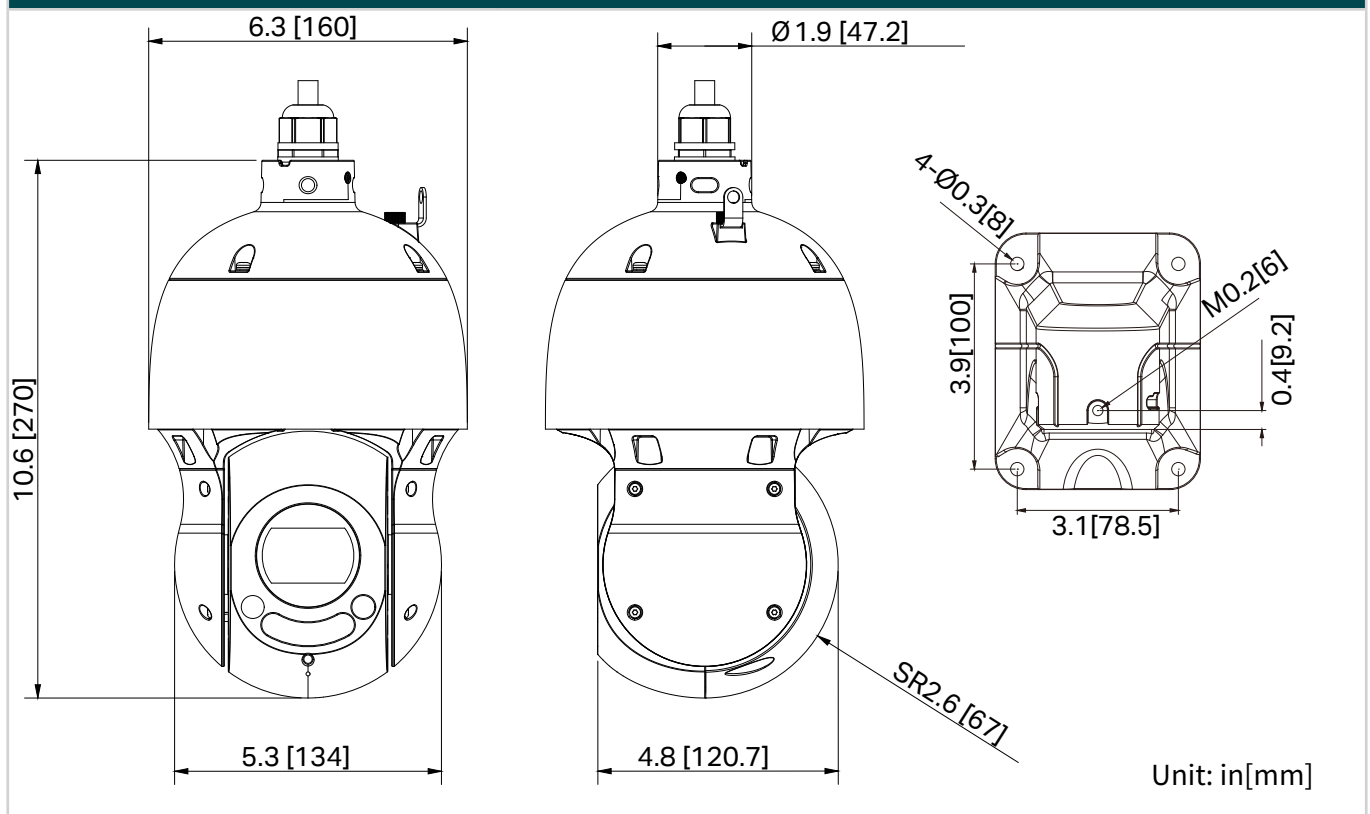
Video Bit Rate	<ul style="list-style-type: none"> <li>• Main Stream: 4096 Kbps to 16384 Kbps</li> <li>• Sub-Stream: 128 Kbps to 2048 Kbps</li> <li>• Third Stream:</li> </ul> H.264/H.265: 768 Kbps to 16384 Kbps MJPEG: 6144 Kbps to 16384 Kbps (1280x720); 4096 Kbps to 16384 Kbps (848x480)
<b>Image</b>	
Image Settings	<ul style="list-style-type: none"> <li>• Mirror</li> <li>• Brightness</li> <li>• Contrast</li> <li>• Saturation</li> <li>• Sharpness</li> <li>• Exposure</li> <li>• WDR</li> <li>• White Balance</li> <li>• IR Light Intensity</li> <li>• HLC Adjustable</li> <li>• Low Illuminator</li> </ul>
Image Enhancement	BLC/3D DNR/HLC/SmartIR
Wide Dynamic Range	120 dB
Defog	Digital Defog
Image Stabilization	EIS
SNR	≥ 52 dB
Image Parameters Switch	Yes
Privacy Mask	Up to 4 Masks
ROI	8 Regions
OSD Setting	Yes
<b>Audio</b>	
Audio Communication	Two-Way Audio
Audio Input	Built-in Microphone Audio In Interface
Audio Output	Built-in Speaker Audio Out Interface
Audio Compression	Yes

Audio Sampling Rate	8KHz
Environment Noise Filtering	Yes
Audio Bit Rate	64 Kbps (G.711 alaw)
<b>Network</b>	
Protocols	TCP/IP, UDP, ICMP, ARP, SNMP, SMTP, RTMP, HTTP, HTTPS, DHCP, DNS, RTSP, RTP, NTP, IPv4, IPv6, UPnP, SSL/TLS, FTP/SFTP
ONVIF	Yes
API	Open Network Video Interface (Profile G/S/T)
Simultaneous Live View	3 Main Streams & 3 Sub-Streams & 3 Third-streams
Client	VIGI App, Web UI, VIGI Cloud VMS
Web Browser	<ul style="list-style-type: none"> <li>• Google Chrome® 57 and above</li> <li>• Firefox® 52 and above</li> <li>• Safari® 11 and above</li> <li>• Microsoft® Edge 91 and above</li> </ul>
Cloud	Yes
Security	Password Protection, HTTPS Encryption, IP Address Filter, Digest Authentication, 802.1X Authentication
<b>Alarm and Event Management</b>	
Smart Event	<ul style="list-style-type: none"> <li>• Intrusion Detection</li> <li>• Line Crossing Detection</li> <li>• Region Entering Detection</li> <li>• Region Exiting Detection</li> <li>• Loitering Detection</li> <li>• Human Detection</li> <li>• Vehicle Detection</li> <li>• Abnormal Sound Detection</li> <li>• Scene Change Detection</li> </ul>
Basic Event	<ul style="list-style-type: none"> <li>• Motion Detection (Enhanced with Human &amp; Vehicle Classification for more accurate alerts)</li> <li>• Camera Tampering</li> <li>• Exception (Illegal Login)</li> </ul>

Alarm Linkage	<ul style="list-style-type: none"> <li>• Memory Card Video Recording</li> <li>• Upload Capture</li> <li>• Alarm Output Device</li> <li>• Push Notifications</li> <li>• Send to Alarm Server</li> <li>• Active Defence-Sound Alarm</li> <li>• Active Defence-Light Alarm</li> <li>• Email Alarm</li> <li>• Smart Tracking</li> </ul>
Smart Tracking	<p>Intelligent Auto Tracking</p> <ul style="list-style-type: none"> <li>• Human-Triggered</li> <li>• Vehicle-Triggered</li> <li>• Event-Triggered</li> </ul>
<b>Deep Learning Function</b>	
People & Vehicle Analytics	Search and filter to people or vehicle of interest based on many different attributes, making post-event search faster and easier.‡
<b>Interfaces</b>	
Network Interface	1 RJ45 10/100M Self-Adaptive Ethernet Port, PoE
On-board Storage	Built-In Memory Card Slot, Support MicroSD Card, up to 512 GB**
Built-in Speaker	Yes
Built-in Microphone	Yes; Records Anything Going on within a 16.4-ft (5 m) Radius of the Camera
Audio	1 Audio In, 1 Audio Out
Alarm	2 Alarm In, 1 Alarm Out Red and Blue Warning Lights
Reset Button	Yes
Power	DC Power Port
RS-485 Port	Yes
<b>General</b>	
Operating Temperature	-30 °C to 65 °C (-22 °F to 149 °F)
Storage Temperature	-40 °C to 65 °C (-40 °F to 149 °F)
Operating Humidity	95% or Less (Non-Condensing)

Storage Humidity	95% or Less (Non-Condensing)
Package Contents	<ul style="list-style-type: none"> <li>• VIGI Network Camera</li> <li>• Installation Guide</li> <li>• Waterproof Cable Attachments</li> <li>• Mounting Accessories</li> </ul>
Power Supply	DC: 12V DC $\pm$ 5%, Max. 21.6 W, 5.5 mm Coaxial Power Plug PoE: 802.3at, Class 4, Max. 24.7 W
Protection	<ul style="list-style-type: none"> <li>• IP66 Weatherproof</li> <li>• IK08 Vandal-Proof</li> <li>• 6 kV Lightning Protection</li> </ul>
Material	Metal
Net Weight	2.8 kg
Product Dimensions	$\Phi$ 6.3 $\times$ 10.6 in ( $\Phi$ 160 $\times$ 270 mm)
Certifications	CE, NTRA, VCCI, KC, BSMI, FCC, IP66, IK08, ONVIF

### Dimensions



‡This feature must be used with VIGI specified software.

\*The Micro SD card and pole mounting kits are not included in the package.

†Calculations are based on laboratory testing. Actual data is not guaranteed and will vary as a result of client limitations and environmental factors

Specifications are subject to change without notice and can be found at [www.vigi.com](http://www.vigi.com).

©2026 TP-Link