

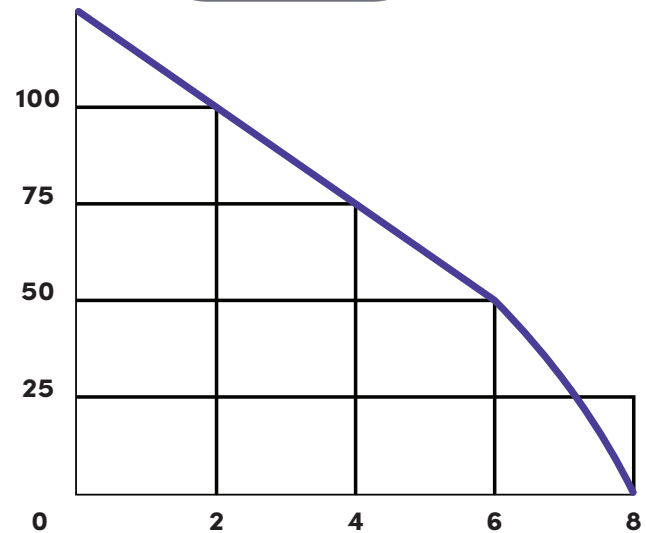
e-Keypad

The e-Keypad is an elegant solution to access restriction. Ideal for access systems requiring a large number of codes. With advanced settings available for installers/supervisors,

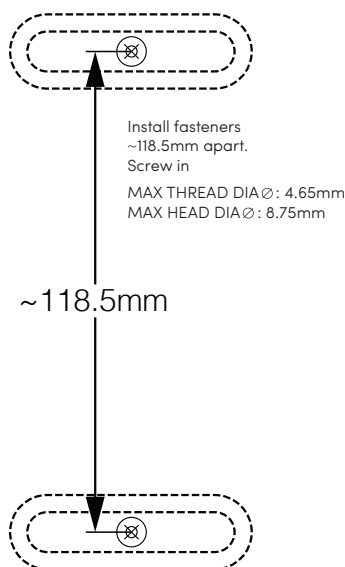


Power, Physical and Environment

Voltage:	3V DC
Current draw standby:	200 nA
Peak current draw:	10 m/a
Battery Type:	CR2450
Battery Type:	540 m/a
Frequency:	433.39 mHz
User Code Storage:	200 Codes
Supervisor Code Storage:	1 Code
Channels:	3 Channels
Size:	135mm x 90mm x 20mm
Pin Code Length:	4-8 Digits
Encryption:	AES 128-Bit



Installation



Compliance

Safety	Tested to CE Approval
EMC	<p>Tested to:</p> <p>EN 301 489-1 V2.2.3 "ElectroMagnetic Compatibility (EMC) standard for radio equipment and services;</p> <p>Part 1: Common technical requirements; Harmonised Standard for ElectroMagnetic Compatibility"</p> <p>Including</p> <p>a)_ Emissions to EN 55032 "Electromagnetic compatibility of multimedia equipment".</p> <p>b)_ Transmitter and receiver test to EN 300 220-1 V3.1.1 'Short Range Devices (SRD) operating in the frequency range 25MHz. to 1000MHz; Part 1: Technical Characteristics and methods of measurement."</p> <p>c)_ Immunity Tests to EN 301 489-1</p>