

DS-K7IR01
IR detectors

- IR detector for NO/NC signal output.
- Simply align by the light indicator on the surface of the device.
- The maximum transmission distance is 30 m.
- Usually use for Entrance Gate, Intruder-detection Alarms, etc..

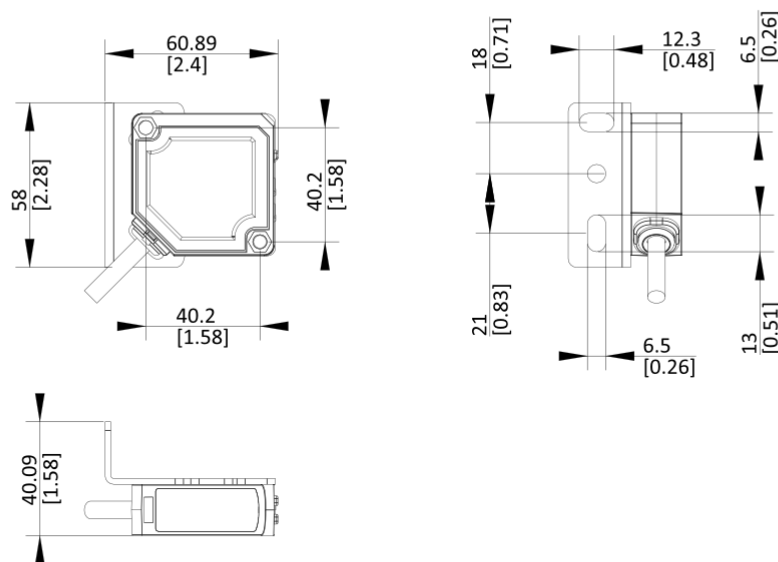
▪ Specification

General	
Lane width	Max 30m
Working temperature	-25 °C to 55 °C (-13 °F to 131 °F)
Working humidity	10% to 95% (No condensing)
Protective level	IP65 (proved by Hikvision lab)
Dimensions	Without package: 50 mm × 50 mm × 18 mm (1.97" × 1.97" × 0.71") With package: 175 mm × 155 mm × 78 mm (6.89" × 6.10" × 3.07")
Installation	mounting on plates.
Weight	Net: 0.33 kg (0.73 lb) Gross: 0.42 kg (0.93 lb)
Approval	CE/RoHS
Power supply method	12-24VDC
Interconnecting cable length	2 m

▪ Available Model

DS-K71R01

▪ Dimension



Unit:mm [inch]

SCALE 1:1

▪ **Accessory**



DS-K3GL606WX-WE



DS-K3GL606WX-WB

See Far, Go Further



www.hikvision.com
support@hikvision.com

