

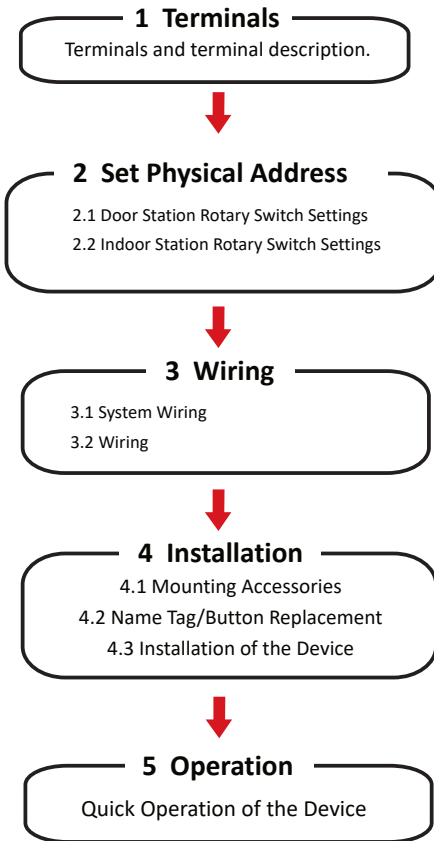


User Manual



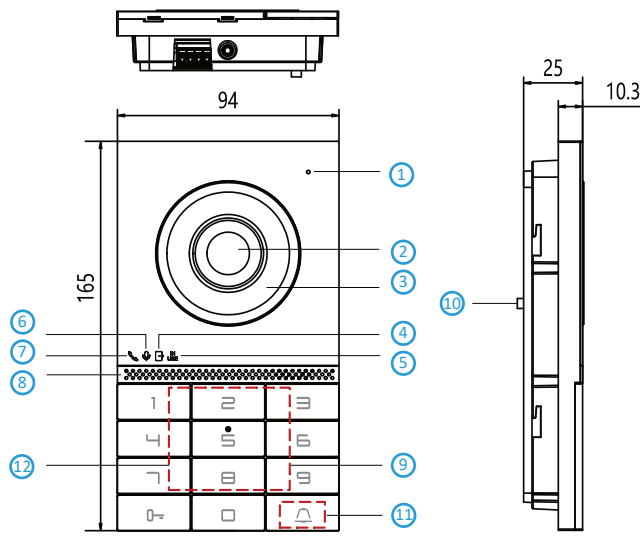
More Languages

Quick Start Flow Chart

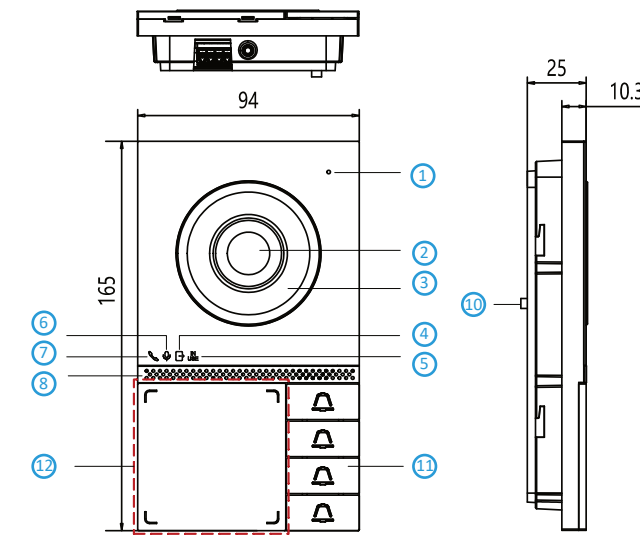


Appearance

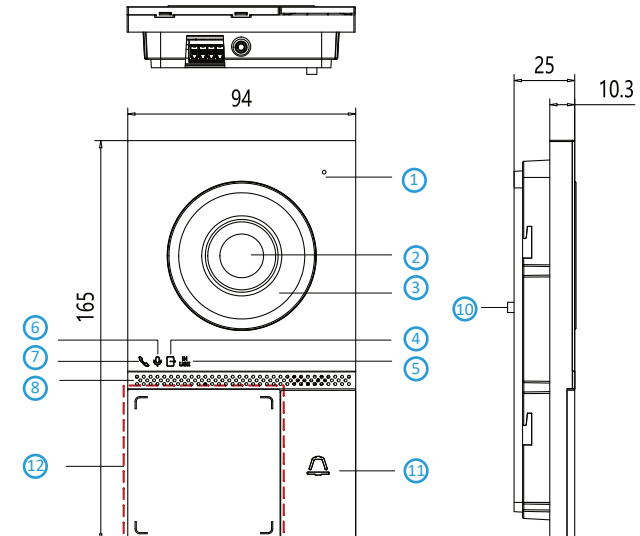
Door Station with Physical Keyboard



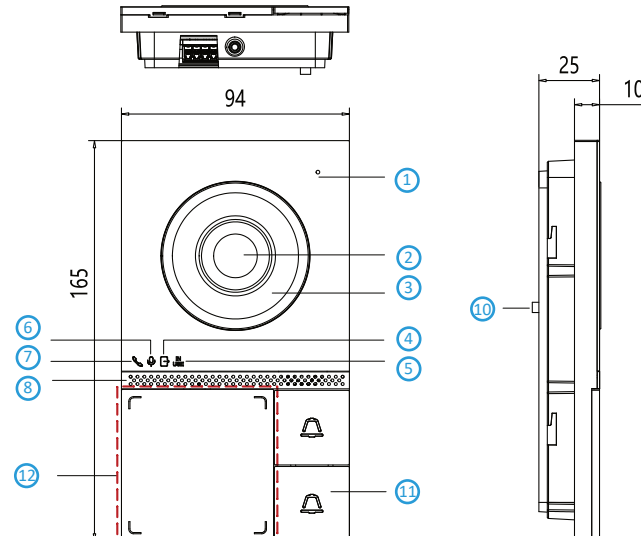
Door Station with 4 Call Buttons



Door Station with 1 Call Button



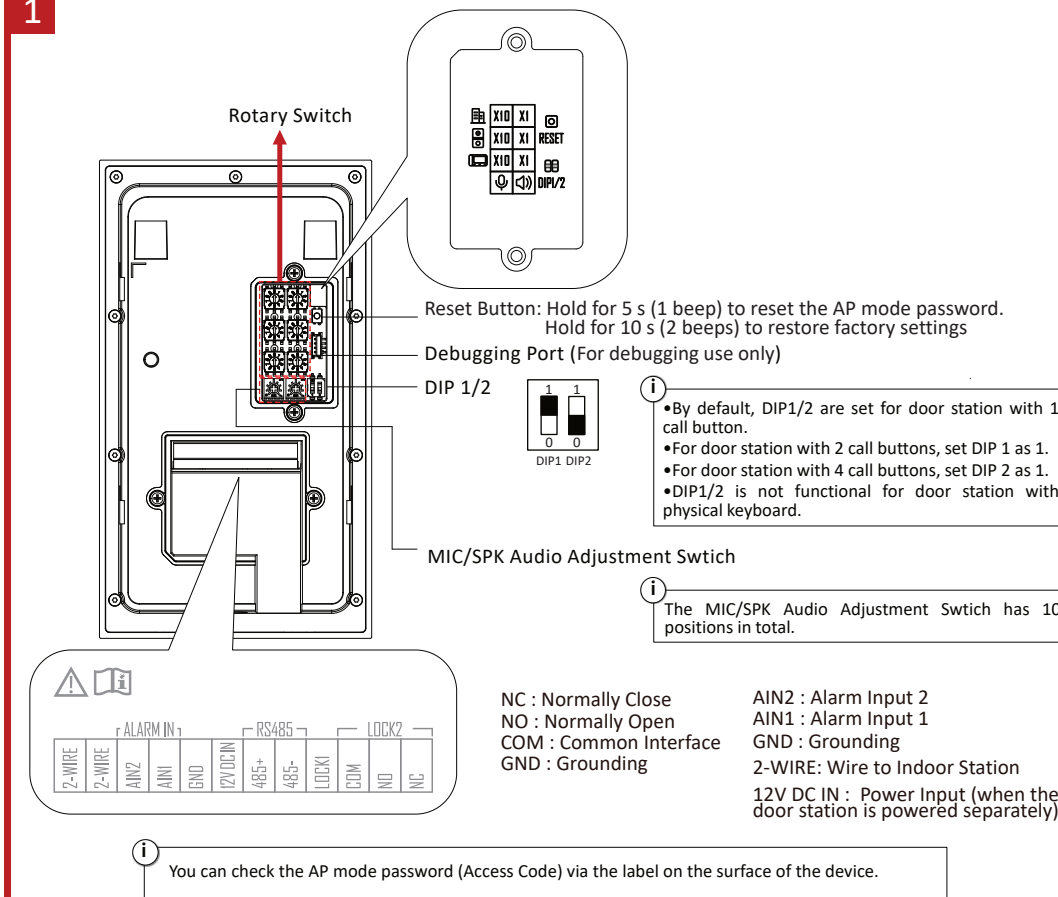
Door Station with 2 Call Buttons



- ① Microphone
- ② Built-in Camera
- ③ Supplement Light
- ④ Open Door Indicator
- ⑤ In-Use Indicator
- ⑥ Calling Indicator
- ⑦ Speaking Indicator
- ⑧ Loudspeaker
- ⑨ Physical Keyboard
- ⑩ TAMPER
- ⑪ Call Button
- ⑫ Card Swiping Area

- ① The call buttons are removable. You can install 1, 2 or 4 call buttons based on your needs.
- ① The pictures here are for reference only.
- ① Press and hold the first button / call button for more than 5 s until the voice prompt "beep" is heard. Release to trigger AP activation or renewal.
- ① By default, the AP mode would automatically closed after 30 min.

1



2.1

Door Station

Use the rotary switch to set the building No., door station No., sub door station and door open duration. The Tens column refers to the number in Tens, and the Units column refers to the number in Units. On each rotary switch, 0 to 9 refers to No. 0 to 9.

In total, you can use 1 to 99 to number the building.

If the door station is main door station, the **Door Station No.** should be set as 0; if it is sub door station, set **Door Station No.** as 1~16.

Use the screwdriver to adjust the number. The arrow indicates the number.

For example:

Building No. (1~99)

Tens: 2, Units: 1. The No. is 21.

Door Station No.

Main Door Station: 0, Sub Door Station: 1~16. The No. is 03.

Main Station No. (Reserved)

Door Open Duration

Rotary Switch	Open Duration(s)	Lock Type
0	2	DC Pulse (Lock 1)
1	5	DC Pulse (Lock 1)
2	10	DC Pulse (Lock 1)
3	2	Relay(Lock 2)
4	5	Relay(Lock 2)
5	10	Relay(Lock 2)
6	2	Lock 1+Lock 2
7	5	Lock 1+Lock 2
8	10	Lock 1+Lock 2
9		DC Pulse (Lock 1)+Mechanical Doorbell(Lock 2), duration set on the web.

It is recommended to stick the supplied number remark on the back of the device to indicate the device's No.

2.2

Indoor Station

No. Settings

Use the rotary switch to set the indoor extension No., the building No., and the room No. The Hundreds refers to the number in Hundreds, the Tens refers to the number in Tens, and the Units refers to the number in Units.

On each rotary switch, 0 to 9 refers to No. 0 to 9. In total, you can use 1 to 3 to number the indoor extension No., 1 to 99 to number the building, and 1 to 400 to number the room.

Use the screwdriver to adjust the number. The arrow indicates the number.

Device Mode Settings

Use the rotary switch to set the indoor station's device mode according to actual scenarios.

Villa Mode: Under the villa mode, the device needs to be powered by 12 VDC power supply. More than one device can light up the screen; when the extension is called, the screen can light up and allow video call.

Building Mode: In one power supply system, up to 3 indoor extensions can be wired to 1 one main indoor station. When the screen of other devices lights up, the *IN USE* indicator will also lights up. Devices cannot be powered by separate power supply. When the indoor extension is called, the screen will not light up.

For example:

Units: 01. The Indoor Extension No. is 01.

Tens: 03, Units: 03. The Building No. is 03.

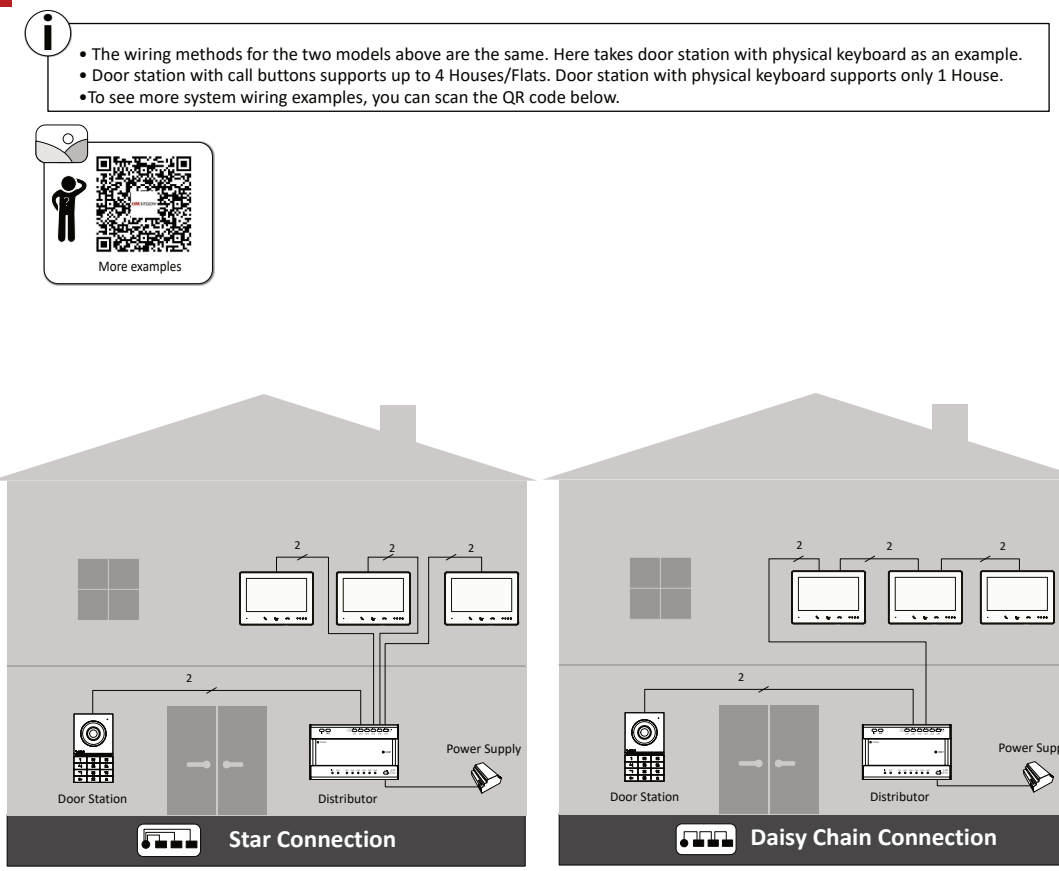
Hundreds: 323, Units: 03. The Room No. is 323.

DIP1 DIP2: 1 1. Villa Mode

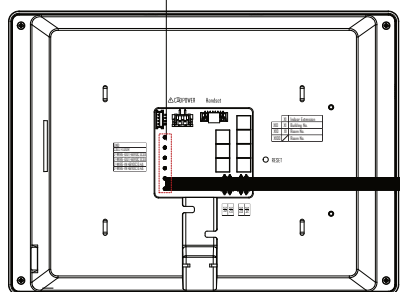
DIP3 DIP4: 0 0. Building Mode

- DIP 1 and DIP 2 are for mode settings, and DIP 3 and DIP 4 are reserved.
- If DIP 2 is set as 1, the function of **Professional Studio** can be set.
- The device is on debugging mode when the extension No. is 9. You can operate the indoor station on debugging mode without connecting to the door station.

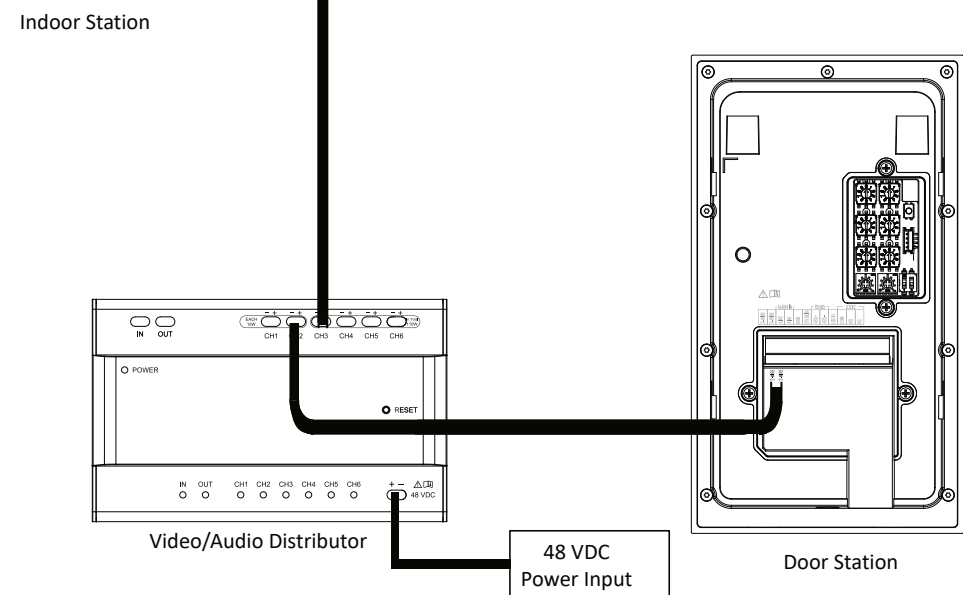
3.1



- GND ← Call Floor
- Call Floor ← Power Out
- Two-Wire Out 48 VDC 0.3 A ← Power Out
- Two-Wire In 48 VDC 0.4 A ← Power In
- Two-Wire In 48 VDC 0.4 A

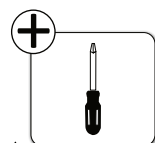


1. The indoor station needs to connect with the distributor and the door station for powering on.
2. The indoor station can connect with the distributor via the *Two-Wire IN* pins.
3. CH3 to CH6 interfaces are 110 W in total. The distributor can connect to the indoor station via CH3 to CH6.
- CH1/CH2 interface is 15 W each. The distributor can connect to the door station via interface CH1 and CH2.
4. The cable between two devices should be undivided. Using discontinuous cables for connecting will cause impact on the power supply and communication function.
5. After connecting to the distributor and the door station, and setting the correct physical address via the rotary switch, will the indoor station be normally operated.
6. Avoid using the same cable to power both the door station and the indoor station.

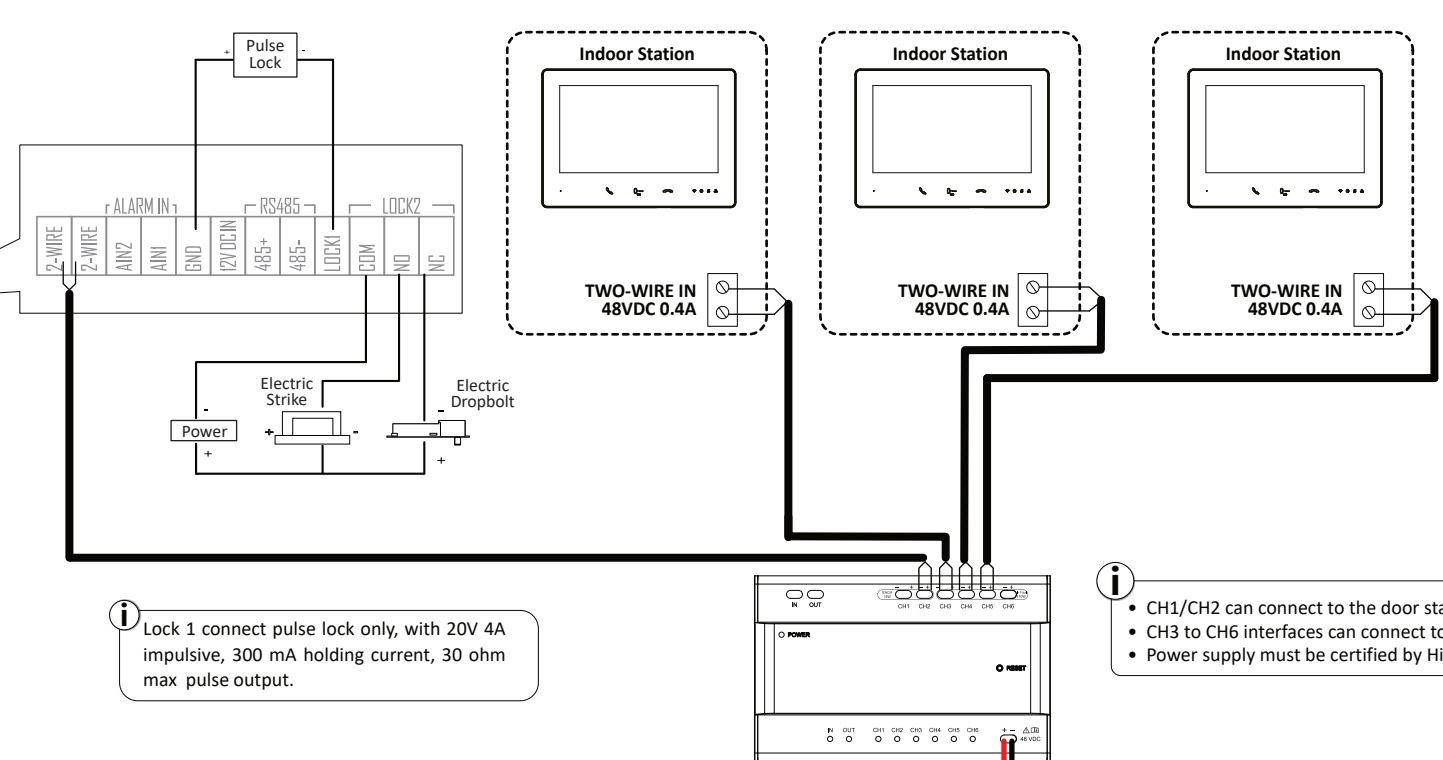
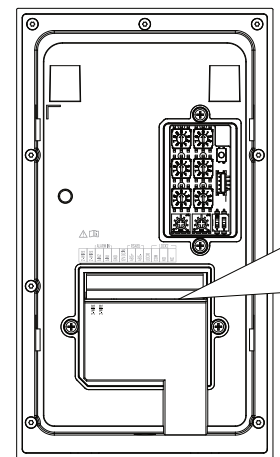


Cable Type Description

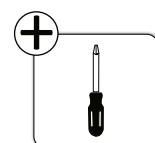
Cable Type	DS-KAD7060EY to Door Station	DS-KAD7060EY to Indoor Station	Indoor Station to Indoor Station	Indoor Station to Door Station
UTP 5 0.2 mm ² (Cat.5) AWG24	60 m	60 m	100 m	140 m
0.28 mm ² (TP) AWG23	60 m	40 m	80 m	160 m
0.5 mm ² (parallel) AWG20	60 m	60 m	100 m	180 m
1 mm ² (parallel) AWG17	60 m	60 m	100 m	260 m
1 mm ² (TP) AWG17	60 m	40 m	80 m	260 m
1.5 mm ² (parallel) AWG15	60 m	60 m	100 m	260 m



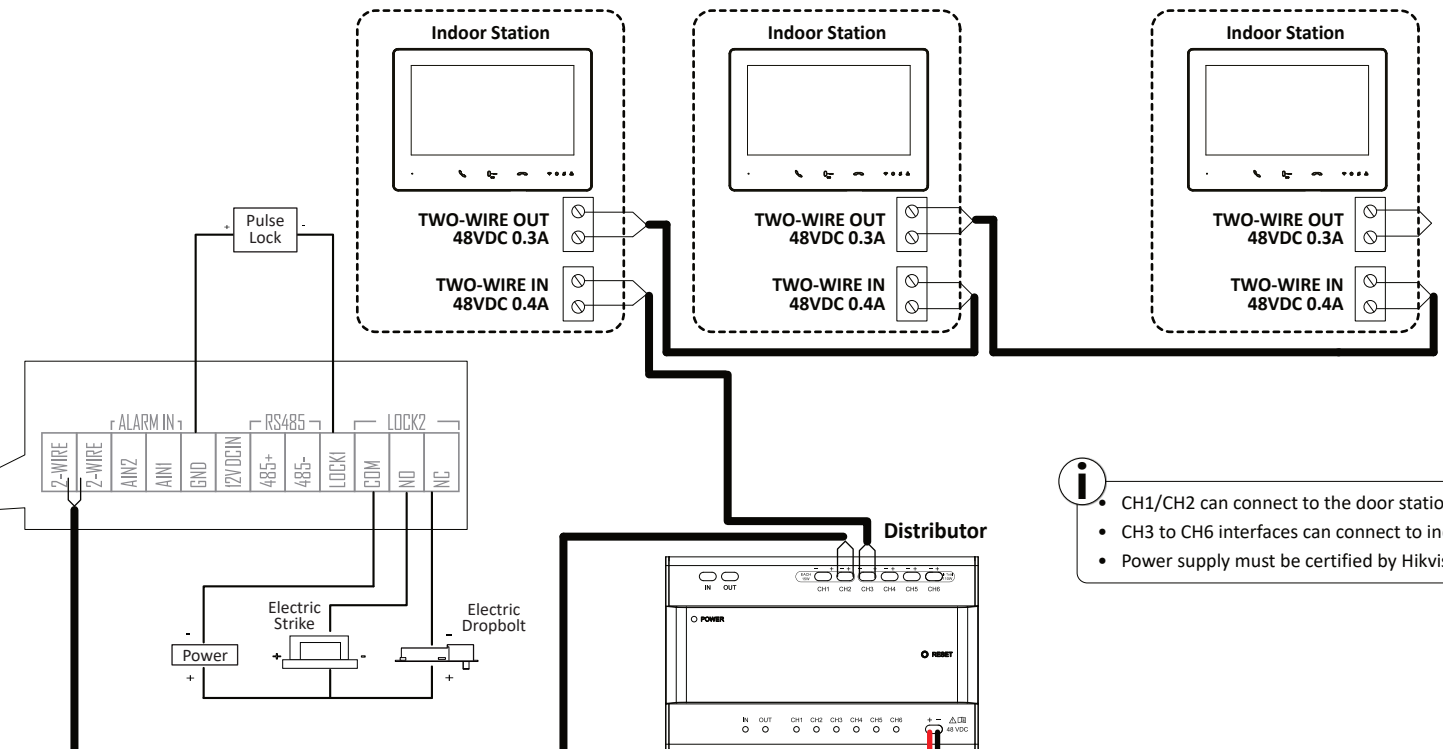
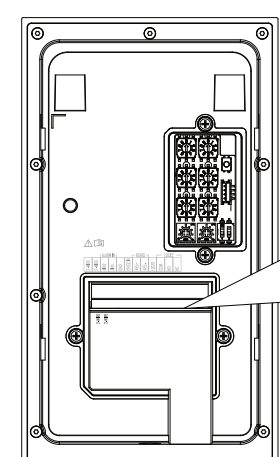
- Make sure no wires are bare when connecting.
- The 2-wire cable between 2 devices should be undivided. Using discontinuous cables for connecting will cause impact on the power supply and communication.



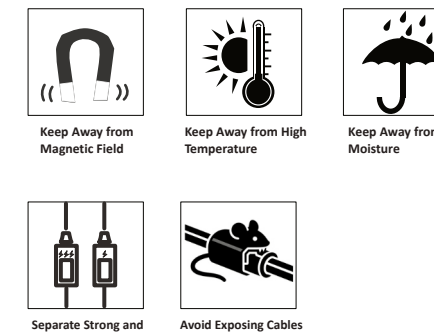
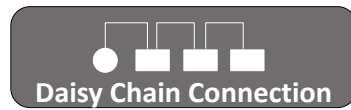
- Lock 1 connect pulse lock only, with 20V 4A impulsive, 300 mA holding current, 30 ohm max pulse output.
- CH1/CH2 can connect to the door station.
- CH3 to CH6 interfaces can connect to indoor station.
- Power supply must be certified by Hikvision.



- Make sure no wires are bare when connecting.
- The 2-wire cable between 2 devices should be undivided. Using discontinuous cables for connecting will cause impact on the power supply and communication.



- CH1/CH2 can connect to the door station.
- CH3 to CH6 interfaces can connect to indoor station.
- Power supply must be certified by Hikvision.



About this Document

- This Document includes instructions for using and managing the Product. Pictures, charts, images and all other information hereinafter are for description and explanation only.
- The information contained in the Document is subject to change, without notice, due to firmware updates or other reasons. Please find the latest version of the Document at the Hikvision website (<https://www.hikvision.com>). Unless otherwise agreed, Hangzhou Hikvision Digital Technology Co., Ltd. or its affiliates (hereinafter referred to as "Hikvision") makes no warranties, express or implied.
- Please use the Document with the guidance and assistance of professionals trained in supporting the Product.

About this Product

This product can only enjoy the after-sales service support in the country or region where the purchase is made.

Acknowledgment of Intellectual Property Rights

- Hikvision owns the copyrights and/or patents related to the technology embodied in the Products described in this Document, which may include licenses obtained from third parties.
- Any part of the Document, including text, pictures, graphics, etc., belongs to Hikvision. No part of this Document may be excerpted, copied, translated, or modified in whole or in part by any means without written permission.
- Hikvision and other Hikvision's trademarks and logos are the properties of Hikvision in various jurisdictions.
- Other trademarks and logos mentioned are the properties of their respective owners.

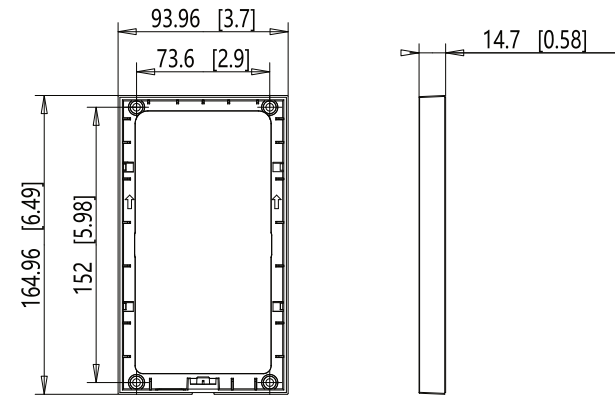
LEGAL DISCLAIMER

- TO THE MAXIMUM EXTENT PERMITTED BY APPLICABLE LAW, THIS DOCUMENT AND THE PRODUCT DESCRIBED, WITH ITS HARDWARE, SOFTWARE AND FIRMWARE, ARE PROVIDED "AS IS" AND "WITH ALL FAULTS AND ERRORS". HIKVISION MAKES NO WARRANTIES, EXPRESS OR IMPLIED, INCLUDING WITHOUT LIMITATION, MERCHANTABILITY, SATISFACTORY QUALITY, OR FITNESS FOR A PARTICULAR PURPOSE. THE USE OF THE PRODUCT BY YOU IS AT YOUR OWN RISK. IN NO EVENT WILL HIKVISION BE LIABLE TO YOU FOR ANY SPECIAL, CONSEQUENTIAL, INCIDENTAL, OR INDIRECT DAMAGES, INCLUDING, AMONG OTHERS, DAMAGES FOR LOSS OF BUSINESS PROFITS, BUSINESS INTERRUPTION, OR LOSS OF DATA, CORRUPTION OF SYSTEMS, OR LOSS OF DOCUMENTATION, WHETHER BASED ON BREACH OF CONTRACT, TORT (INCLUDING NEGLIGENCE), PRODUCT LIABILITY OR OTHERWISE, IN CONNECTION WITH THE USE OF THE PRODUCT, EVEN IF HIKVISION HAS BEEN ADVISED OF THE POSSIBILITY OF SUCH DAMAGES OR LOSS.
- YOU ACKNOWLEDGE THAT THE NATURE OF THE INTERNET PROVIDES FOR INHERENT SECURITY RISKS, AND HIKVISION SHALL NOT TAKE ANY RESPONSIBILITIES FOR ABNORMAL OPERATION, PRIVACY LEAKAGE OR OTHER DAMAGES RESULTING FROM CYBER-ATTACK, HACKER ATTACK, VIRUS INFECTION, OR OTHER INTERNET SECURITY RISKS; HOWEVER, HIKVISION WILL PROVIDE TIMELY TECHNICAL SUPPORT IF REQUIRED.
- YOU AGREE TO USE THIS PRODUCT IN COMPLIANCE WITH ALL APPLICABLE LAWS, AND YOU ARE SOLELY RESPONSIBLE FOR ENSURING THAT YOUR USE CONFORMS TO THE APPLICABLE LAW. ESPECIALLY, YOU ARE RESPONSIBLE FOR USING THIS PRODUCT IN A MANNER THAT DOES NOT INFRINGE ON THE RIGHTS OF THIRD PARTIES, INCLUDING WITHOUT LIMITATION, RIGHTS OF PUBLICITY, INTELLECTUAL PROPERTY RIGHTS, OR DATA PROTECTION AND OTHER PRIVACY RIGHTS. YOU SHALL NOT USE THIS PRODUCT FOR ANY PROHIBITED END-USES, INCLUDING THE DEVELOPMENT OR PRODUCTION OF WEAPONS OF MASS DESTRUCTION, THE DEVELOPMENT OR PRODUCTION OF CHEMICAL OR BIOLOGICAL WEAPONS, ANY ACTIVITIES IN THE CONTEXT RELATED TO ANY NUCLEAR EXPLOSIVE OR UNSAFE NUCLEAR FUEL-CYCLE, OR IN SUPPORT OF HUMAN RIGHTS ABUSES.
- IN THE EVENT OF ANY CONFLICTS BETWEEN THIS DOCUMENT AND THE APPLICABLE LAW, THE LATTER PREVAILS.

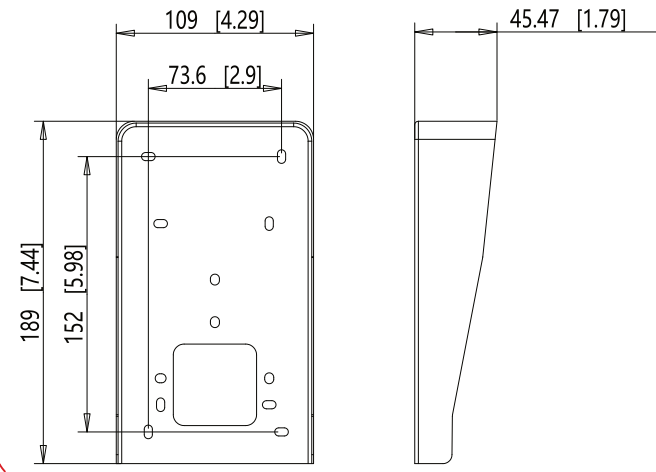
© Hangzhou Hikvision Digital Technology Co., Ltd. All rights reserved.

Accessory Description

The wall mounting plate is required to install the indoor station onto the wall.
The dimension of mounting plate is shown below.

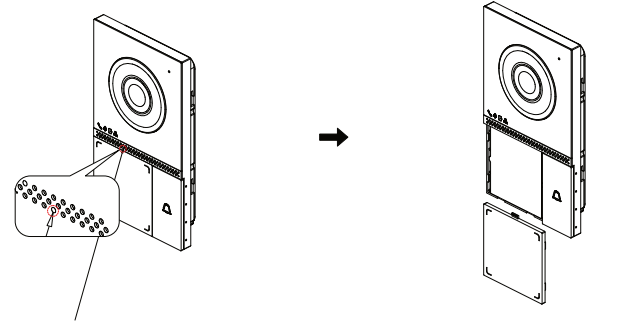


Protective Shield



The device also supports surface mounting with rain shield. The rain shield would come with the package.

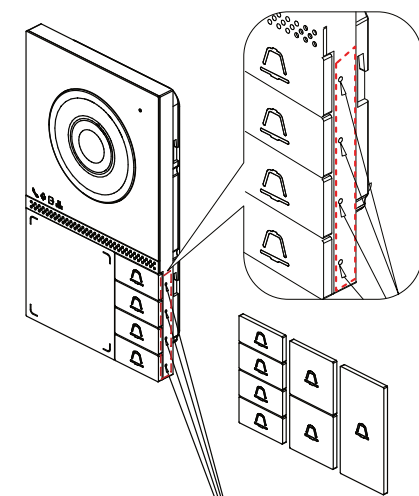
Name Tag Replacement for Door Station with Call Button(s)



- Use the SIM card pin to poke the eject button inside the hole.
- Press the transparent cover with your finger and move it downwards. Slide the transparent cover and the name tag paper holder down to remove them, then replace the new name tag paper.
- After replacing the new name tag paper, reassemble the name tag paper, transparent cover, and holder, then slide the transparent cover back into the front shell.

A SIM card pin and name tag paper would come with the package for door station with button(s).

Button Replacement

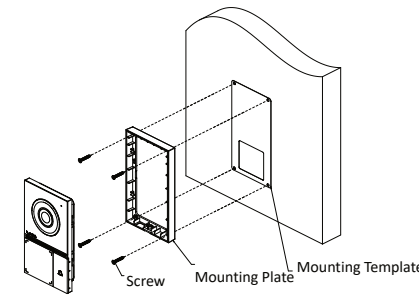


Use the SIM card pin to poke the eject button inside the hole would allow you to remove the buttons. Then you can replace them with desired number of buttons.

Before You Start

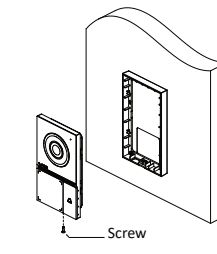
- Make sure the device in the package is in good condition and all the assembly parts are included.
- Make sure all related equipments are power-off during the installation. Check the product specification for the installation environment.

Surface Mounting without Rain Shield



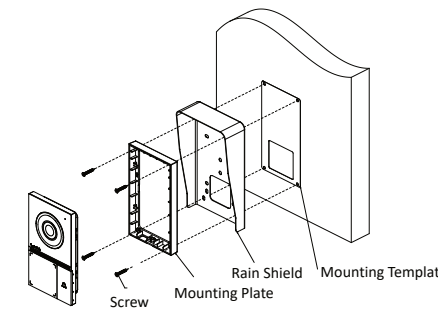
- Attach the mounting template to the wall. Drill holes according to the template. Remove the template from the wall.
- Fix the mounting plate to the wall with 4 PCS KA4X22 screws.

The installation methods for the two models above are the same. Here takes door station with one call button as an example.

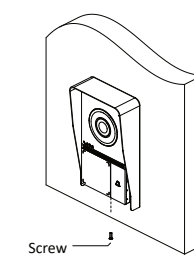


- Connect the cables, secure the back panel cover. Then mount the device onto the plate from top to bottom.
- Secure the device to the plate with 1 PCS KM3X10T10 screws.

Surface Mounting with Rain Shield



- Attach the mounting template to the wall. Drill holes according to the template. Remove the template from the wall.
- Fix the mounting plate and rain shield to the wall with 4 PCS KA4X22 screws.



- Connect the cables, secure the back panel cover. Then mount the device onto the plate from top to bottom.
- Secure the device to the plate with 1 PCS KM3X10T10 screws.

Call Indoor Station from Door Station/Outer Door Station/Sub Door Station

The indoor station/indoor extension can receive calls from door station, outer door station and sub door station.
When there is a call, 2 unlock buttons will be displayed on the call page: Unlock 1 and Unlock 2.
Tap **Unlock 1** and the building gate will open.
Tap **Unlock 2** and the door connected to the door station with the secure door control unit will open.
Tap the capture button to capture and save the live view pictures to SD card when speaking with the door station.

Add Password and Card

For door station with physical keyboard

1. Use your mobile phone or computer to connect to the AP hotspot of the door station. If you can't find the AP, press and hold the first button / call button for more than 5 seconds until the voice prompt "beep" is heard, which means the AP mode has been enabled.

By default, the AP mode would automatically closed after 30 min.

- Open the browser, input the default IP and log onto the web.
- Click **Person Management** > **+Add** to enter the Add Person page. Click **Add Card**, enter the Card No. and select the Property, and click OK to add the card. Click **Save** to save the settings.
- Click **Configuration** > **Access Control** > **Password Settings**. Click **Add** to add public password.
 - Select Password Type.
 - Enter the password and confirm the password. Optional: Add remarks for the password.
 - Select Electric Lock.
 Click **Save** to save the settings.

For other three models

The configuration procedures are the same as above but password is not supported.

Scan the QR code to get the User Manual for detailed information.



If a power adapter is provided in the device package, use the provided adapter only. If no power adapter is provided, ensure the power adapter or other power supply complies with Limited Power Source. Refer to the product label for the power supply output parameters.

Если адаптер питания входит в комплект поставки устройства, используйте только прилагаемый адаптер. Если адаптер питания не входит в комплект поставки, убедитесь, что используемый вами адаптер питания или источник питания соответствует требованиям к ограничению мощности. Входные параметры источника питания указаны на его паспортной табличке.

Amennyiben a készülék csomagja tartalmaz hálózati adaptert, kizárólag a mellékelt adaptert használja. Ha a csomag nem tartalmaz hálózati adaptert, bizonyosodjon meg, hogy a használt hálózati adapter vagy más tápegység megfelelnek a korlátozott áramforrásokra vonatkozó előírásoknak. A tápegység teljesítményének paramétereit a termék címkéjén találhatók.

Wenn im Lieferumfang des Geräts ein Netzteil enthalten ist, verwenden Sie nur das mitgelieferte Netzteil. Wenn kein Netzteil mitgeliefert wird, stellen Sie sicher, dass das Netzteil oder eine andere Stromversorgung den Anforderungen an eine Stromquelle mit begrenzter Leistung entspricht. Die Ausgangsparameter des Netzteils sind auf dem Produktaufkleber angegeben.

Utilizzare solo l'alimentatore in dotazione, se incluso nella confezione del dispositivo. Se l'alimentatore non è incluso, accertarsi di utilizzare un modello conforme allo standard sulle fonti di alimentazione limitate. Consultare l'etichetta del prodotto per i parametri dell'uscita di alimentazione.

Pokud je v balení zařízené dodán napájecí adaptér, použijte pouze dodaný adaptér. Pokud není napájecí adaptér dodán, zajistěte, aby napájecí adaptér nebo jiný napájecí zdroj vyhovoval požadavkům na omezený zdroj napájení. Parametry výstupu napájení viz štítek výrobku.

Ak bolo zariadenie dodané s napájacím adaptérom, použite iba dodaný adaptér. Ak napájací adaptér nie je dodaný, uistite sa, že napájací adaptér alebo iný zdroj napájania vyhovuje obmedzenému zdroju napájania. Parametre výstupu napájacieho zdroja nájdete na štítku produktu.

Si un adaptateur secteur est fourni dans l'emballage de l'appareil, n'utilisez que l'adaptateur fourni. Si aucun adaptateur secteur n'est fourni, assurez-vous que l'adaptateur secteur ou toute autre source d'alimentation est conforme à la source d'alimentation limitée. Reportez-vous à l'étiquette du produit pour connaître les paramètres de sortie de l'alimentation.

Jeżeli w pakiecie z urządzeniem dostarczany jest zasilacz, należy używać wyłącznie tego zasilacza. Jeżeli zasilacz nie jest dostarczany w pakiecie z urządzeniem, należy używać zasilacza zgodnego z wymaganiami dotyczącymi źródeł zasilania z własnym ograniczeniem (LPS, Limited Power Source). Informacje dotyczące wymaganego zasilania podano na etykiecie produktu.

Als een voedingsadapter in de verpakking van het apparaat is geleverd, mag u alleen deze adapter gebruiken. Als er geen voedingsadapter is meegeleverd, moet u ervoor zorgen dat de voedingsadapter of een andere stroombron voldoet aan de Beperkte voedingsbron. Raadpleeg het productlabel voor de parameters voor de stroomuitvoer.

Se a embalagem do dispositivo incluir um adaptador de alimentação, utilize apenas o adaptador fornecido. Se não for fornecido um adaptador, certifique-se de que o adaptador de alimentação ou qualquer outra fonte de alimentação está em conformidade com a Fonte de Alimentação Limitada. Consulte a etiqueta do produto para obter os parâmetros nominais da fonte de alimentação.

Si el paquete del dispositivo incluye un adaptador de corriente, utilice únicamente el adaptador suministrado. Si no se suministra un adaptador de corriente, asegúrese de que el adaptador de corriente u otra fuente de alimentación que utilice cumple con el límite de la fuente de alimentación. Consulte la etiqueta del producto para conocer los parámetros de salida de la fuente de alimentación.

Dacă dispozitivul se furnizează cu un adaptor de alimentare, utilizați-l numai pe acesta. Dacă nu se furnizează niciun adaptor de alimentare, asigurați-vă că adaptorul sau o altă alimentare electrică este compatibilă cu sursa de alimentare limitată. Pentru parametri de ieșire ai alimentării electrice, consultați eticheta produsului.

Hvis en strømadapter følger med i enhedens pakke, må du kun bruge den medfølgende adapter. Hvis der ikke medfølger en strømadapter, skal du sikre, at strømadapteren eller en anden strømforsyning overholder LPS (Limited Power Source). Find strømforsyningsens udgangsparametre i produktets mærkat.

Chíaz paketinde bir güç adaptörü varsa, sadece verilen adaptörü kullanın. Güç adaptörü verilmediyse, güç adaptörünün veya diğer güç kaynağının Sınırlı Güç Kaynağı ile uyumlu olduğundan emin olun. Güç kaynağı çıkış parametreleri için ürün etiketine bakın.

في حال توفر محول طاقة في عبوة الجهاز، استخدم المحول المرفق فقط في حال عدم توفر محول طاقة، تأكد من توافق محول الطاقة أو مصدر الطاقة الأخر مع مصدر الطاقة المحدود. راجع ملصق المنتج للاطلاع على معلمات خرج مصدر الطاقة.

Якщо блок живлення входить у комплект поставки, використовуйте тільки наданий блок живлення. Якщо блок живлення не входить у комплект поставки, переконайтеся, що блок живлення або інше джерело живлення відповідає вимогам до джерел живлення обмеженої потужності. Вимоги до вихідних параметрів джерела живлення див. на етикетці виробу.

Jika adaptor daya disediakan dalam kemasan perangkat, hanya gunakan adaptor yang disediakan. Jika adaptor daya tidak disediakan, pastikan adaptor daya atau catu daya lain sesuai dengan Sumber Daya Terbatas. Lihat label produk untuk parameter output catu daya.

ကိရိယာ ထုတ်ပို့မှုတွင် ပါဝင် အဝတ်တံဆိပ် ထည့်သွင်းပါရှိပါက၊ ပေးထားသော အဝတ်တံဆိပ်ကိုသာ အသုံးပြုပါ။ ပါဝင် အဝတ်တံဆိပ် မပါရှိပါက၊ ပါဝင်ရန်ရှိသည့် ကန့်သတ်မှုနှင့် ကိုက်ညီသော ပါဝင် အဝတ်တံဆိပ် အခြား ပါဝင် ပေးသွင်းမှုများကို သုံးစွဲရန် နေပြီပါ။ ပါဝင်ပေးသွင်းမှု အထွက် ကန့်သတ်ချက်များအတွက် ထုတ်ကုန်တွင် ဖော်ပြထားသည့်ကိရိယာကို ကိုက်ညီပါ။